



Instructions for Installing Fresnel Screen on a Toyo 45C, 45CX, 45D, 45E, 45G, 45GX, VX125 or 45F

Item Number	Description	Quantity
1	Screw	6
2	Retainer	2
3	Holder	2
4	Ground Glass	1
5	Fresnel Screen	1
6	Focusing Frame	1
7	Spacer	2

Remove the six screws (1) holding the retainer (2) and the ground glass (4). Take the Fresnel screen (5) and center it against the ground glass (4) (etched side against the ground glass, smooth side with the raised lettering towards the lens board).

Use the two holders (3) to clip the ground glass to the Fresnel screen (keep the Fresnel screen centered).

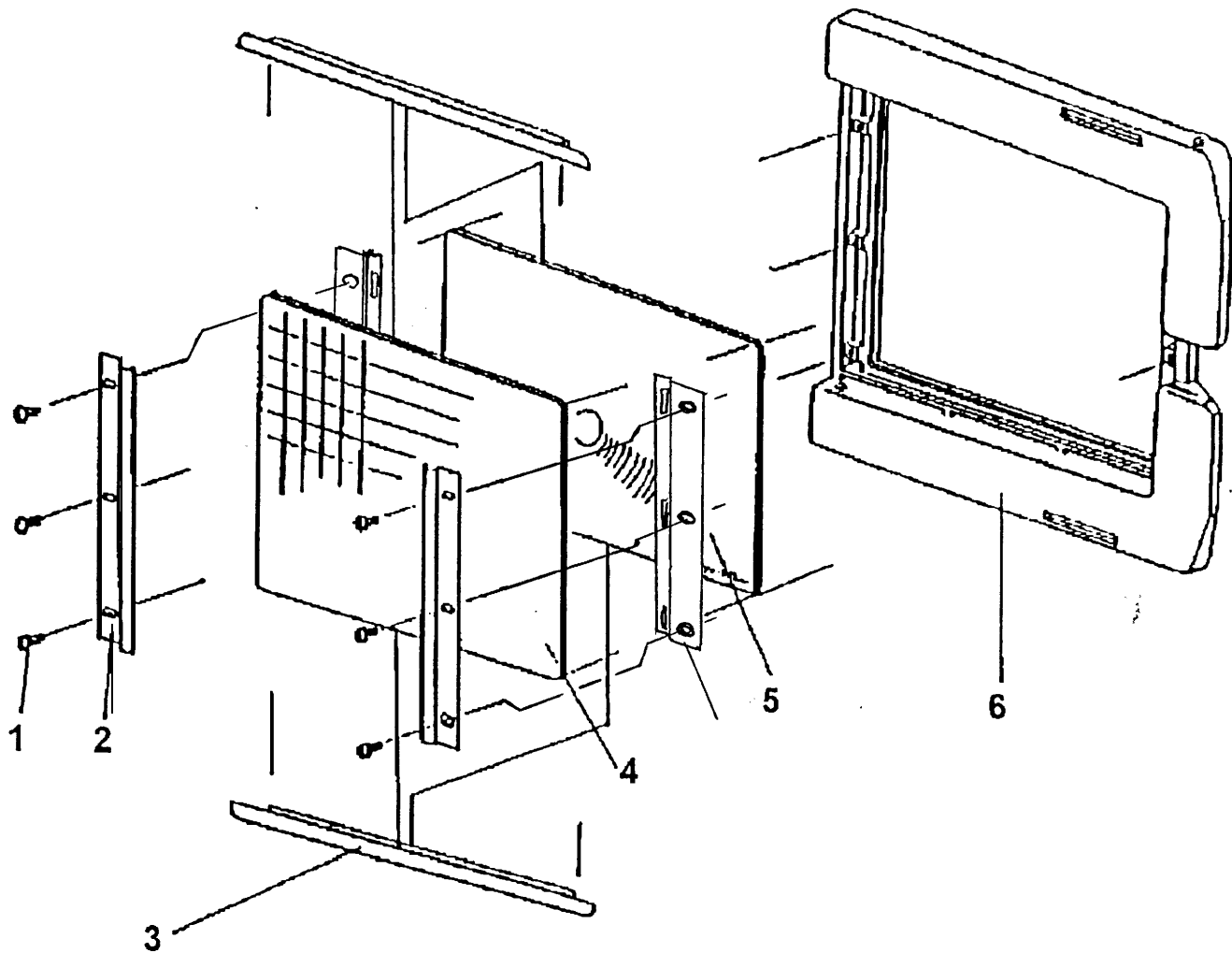
Place the two spacers (7) on the focusing frame (6), where the retainers were removed (2) being sure to line up the screw holes.

Place the Fresnel (5) screen into the opening of the focusing frame (6) so that the ground glass (4) rests on the spacers (7).

(Note: If the Fresnel screen (5) rests on the frame (6) or the spacers (7), the ground glass (4) will crack when the retainers (2) are installed.)

Put the retainers (2) back in the position from where they were removed. If installed correctly, you will be able to read "Toyo View" through the ground glass (4).





Focusing Frame Assembly