

View Camera Focusing

Image sharpness and ease of composition may be enhanced by using a variety of viewing and focusing aids available for large format cameras.

While there are many universal devices, such as hand held magnifying loupes and focusing cloths,

number of different camera models. For example, all Toyo 4x5" format cameras, whether basic, deluxe, monorail or folding field design, use the exact same modular viewing accessories.



Toyo 45C shown with Toyo 4x5 1.5x Flexible Monocular Focusing Hood #180-809

which may be used with different brands of cameras, the finest cameras have their own assortment of accessories.

Focusing hoods eliminate the need for sometimes cumbersome focusing cloths that must be draped over the photographer and camera back to allow for clear and bright viewing and focusing.

In the field, where wind and elements can pose special problems when using a large focusing cloth, focusing hoods are highly effective.

Toyo offers a wide range of modular accessories that fit a

Focusing Hoods

Both monocular and folding focusing hoods are useful indoors or in the field, where bright extraneous light obscures clear viewing of the screen, and are light and flexible enough for backpacking.

With the monocular or folding focusing hood, the image on the ground glass remains upside down and reversed. In addition, the folding hood serves as protection against accidental ground glass breakage. A folding focusing hood is standard equipment supplied with the Toyo Field 45A.

The Toyo 1.5x Flexible Monocular Focusing Hood (#180-809) may be used for viewing and focusing on the ground glass, or may also be used as a loupe to view 4x5" transparencies or negatives on a light box.

The Toyo monocular hood has a single magnifying eyepiece, rubber eyecup, and is constructed of flexible rubber for lightness. This also allows movement of the eyepiece to screen edges and corners.

Convenient Toyo Folding Focusing Hoods are available for 4x5" (#180-808) and Toyo 5x7" (#180-822) camera models.

Both hoods have the same swing away mounting frame as the Toyo Binocular Reflex Magnifying Hood, and attach to the camera in the same manner. The swing-away mount frame allows easy access to the ground glass, for use of a critical focusing magnifying loupe, such as the handy Toyo 3.6x Ground Glass Focusing Magnifier #180-301.

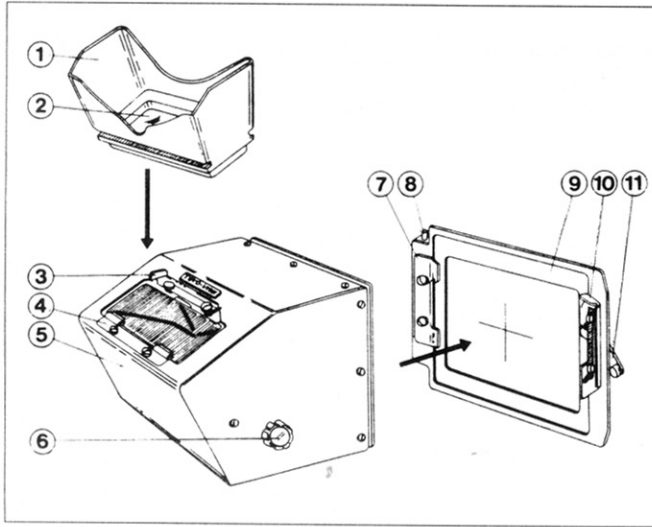
Reflex Viewing Hoods

Because the image on the ground glass is projected directly through the lens, you view the subject upside down and reversed from left to right.

A *reflex viewing hood* has a large mirror that inverts the image, bringing it right side up. Toyo offers two Binocular Reflex Viewing Hoods; one for 4x5" cameras (#180-812) and one for 8x10" cameras (#180-813).

A binocular reflex hood eases eye strain, and allows convenient viewing of the focusing screen.

(continued on reverse)



Exploded view of Toyo Binocular Reflex Hood #180-812

The Toyo Binocular Reflex Hoods offer a removeable, *binocular* eyepiece (1) to mask out stray light, and with twin 1.5X *magnifying lenses* (2) for critical viewing with both eyes with or without eyeglasses.

The eyepiece may be attached or removed by moving the *slide lock* (3) and lifting the eyepiece away from the *fixed hinge* (4).

The *mirror housing* (5) for the 4x5" version is made out of metal alloy, whereas the housing for the 8x10" version is made out of polycarbonate to reduce weight of the large hood.

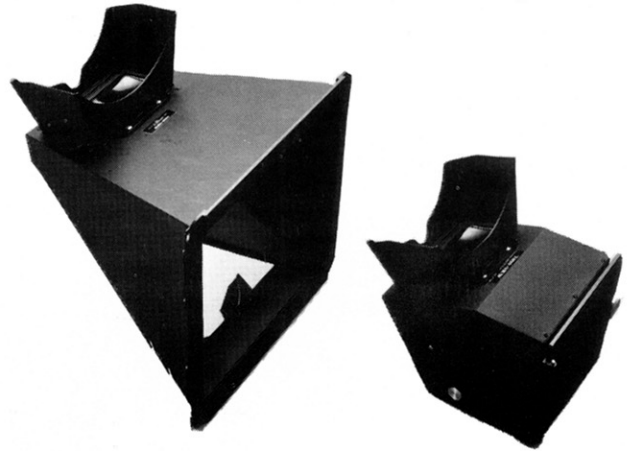
The *mirror angle adjustment knob* (6) is used to allow bright viewing of all areas of the screen, particularly with extreme camera movements and wide angle lenses.

The mirror housing attaches to the *mounting frame* (9) by means of another *hinge* (7) and *sliding lock mechanism* (10). This way, the mirror housing may be removed and re-attached for vertical or horizontal use.

The mounting frame is attached to the small anchor holes inside the camera back frame lip by a *spring loaded hinge pin* (8). Simply press the spring loaded pin (8) into the camera back and seat the fixed

pin into the opposing anchor hole.

The entire hood may be secured or swung out of the way for viewing convenience by flipping the *lock latch* (11) on the frame. The 8x10 hood uses simple hinge and slide locks. The mounting frame stays in place and the hood is removed and re-attached for vertical or horizontal use.



Toyo Binocular Reflex Hoods #180-813 and #180-812 shown

Selecting Toyo Focusing Hoods

The following 4x5 accessories fit all Toyo-View 4x5 format, Toyo-Field 45A and Omega-View camera models:

Cat #	Intl#	Description	Suggested List
#180-808	(2006)	4x5 Folding Focusing Hood	\$120
#180-809	(1024)	4x5 1.5x Flexible Monocular Hood	\$220
#180-812	(1026)	4x5 Binocular Reflex Hood	\$532

The following accessories fit the Toyo models indicated:

#180-840	(10224)	6x9cm 1.5x Monocular Hood for Toyo 23G	\$180
#180-822	(2206)	5x7 Folding Focusing Hood for Toyo 57G, 57GB	\$159
#180-813	(8226)	8x10 Binocular Reflex Hood for Toyo 810G, 810GB, 810GX, 810M Field	\$1134